



DSEG8007 7" Graphical Colour Remote Overview Display

Part Number: G8007-01



Overview

The DSEG8007 is a 7" touch screen, full colour, graphical display providing the user with remote control and monitoring of an entire system. It has been designed to seamlessly integrate with the single-set and multi-set DSEG8600 modules, with configuration options suitable for a wide variety of applications. The DSEG8007 display screen design provides comprehensive large screen graphs, meters and numeric values to indicate engine, generator and mains (utility) status information in a clear and concise format.

Key Features

- Enhanced 7" high resolution, touch screen, colour display with an enhanced graphical user interface to display system application diagrams.
- Powerful processor for fast monitoring and control response times across multiple single-set and multi-set DSEG8600 modules within the same system.
- Front panel control and monitoring for a maximum of 20 DSEG8600 modules within the same system.
- Simultaneous RS485 and Ethernet communications to multiple single-set and multi-set DSEG8600 modules.
- Internal audible alarm provides alerts when a fault occurs within the monitored system.
- Digital outputs to activate an external high intensity siren/beacon to provide alerts when a fault occurs within the monitored system.
- Multiple language support.
- PC Configuration using DSESCADA Suite.
- IP65 rating when mounted to panel fascia with supplied sealing gasket.

Product Documentation

- 053-279 – DSEG8007 Installation Instructions
- 057-377 – DSEG8007 Operator Manual
- 057-128 – DSE8005 DSE SCADA Suite PC Software Manual



DEEP SEA ELECTRONICS UK
 T: +44 (0) 1723 890099
 E: sales@deepseaelectronics.com
 W: www.deepseaelectronics.com

DEEP SEA ELECTRONICS USA
 T: +1 (815) 316 8706
 E: usasales@deepseaelectronics.com
 W: www.deepseaelectronics.com

DEEP SEA ELECTRONICS UAE
 T: +971 (0) 45910819
 E: uaesales@deepseaelectronics.com
 W: www.deepseaelectronics.com

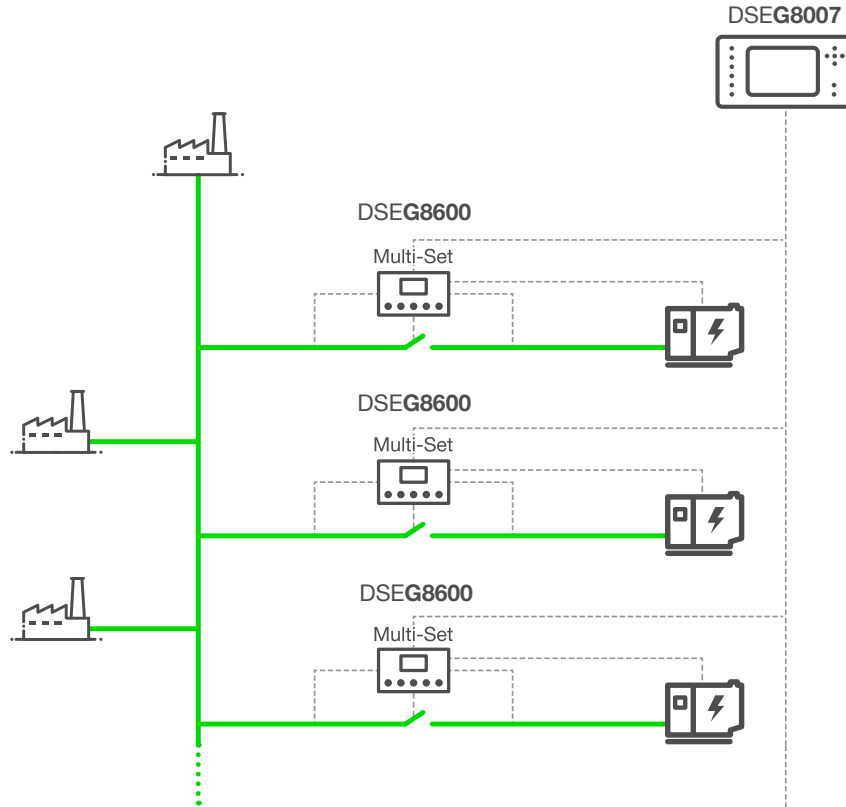
DEEP SEA ELECTRONICS INDIA
 T: +91 20 68195900
 E: sales@deepseaelectronics.com
 W: www.deepseaelectronics.com



DSEG8007 7" Graphical Colour Remote Overview Display

Part Number: G8007-01

Typical Application



Product Documentation

- 053-279 – DSEG8007 Installation Instructions
- 057-377 – DSEG8007 Operator Manual
- 057-128 – DSE8005 DSE SCADA Suite PC Software Manual



DEEP SEA ELECTRONICS UK
 T: +44 (0) 1723 890099
 E: sales@deepseaelectronics.com
 W: www.deepseaelectronics.com

DEEP SEA ELECTRONICS USA
 T: +1 (815) 316 8706
 E: usasales@deepseaelectronics.com
 W: www.deepseaelectronics.com

DEEP SEA ELECTRONICS UAE
 T: +971 (0) 45910819
 E: uaesales@deepseaelectronics.com
 W: www.deepseaelectronics.com

DEEP SEA ELECTRONICS INDIA
 T: +91 20 68195900
 E: sales@deepseaelectronics.com
 W: www.deepseaelectronics.com



DSEG8007 7" Graphical Colour Remote Overview Display

Part Number: G8007-01

Specifications	
DC Supply	
Continuous Voltage Rating	8 V to 35 V DC continuous
Cranking Dropouts	Able to survive 0 V for 100 ms, providing supply was at least 10 V before dropout and supply recovers to 5 V. This is achieved without the need for internal batteries. Backlight will not be maintained during cranking.
Maximum Operating Current	300 mA at 12 V, 150 mA at 24 V
Digital Alarm Outputs	
Number	2
Type	Positive Switching DC Output
Positive DC Output Rating	Output C to D: $2 A_{DC}$ at module supply voltage.
Communications	
USB A	1 Programming Port
USB B	1 File Update Port
RS232*	1 Non-Isolated Port
RS485	1 Fully Isolated Port
Ethernet	1 10/100 Ethernet Port
Temperature	
Operating Temperature	-30 °C to +70 °C / -22 °F to +158 °F
Storage Temperature	-40 °C to +85 °C / -40 °F to +185 °F
Dimensions	
Overall (W x H x D)	316.8 mm x 168.8 mm x 42.8 mm / 12.47 " x 6.65 " x 1.69 "
Mounting	
Type	Panel Fascia Mounting
Panel Cut-Out (W x H)	282 mm x 136 mm / 11.10 " x 5.35 "
Maximum Panel Thickness	8 mm / 0.31 "

Related Products		
DSEgenset®		
DSEG8600	Parallel Genset Controller with Integral Heater	G8600-01

*Available in future software updates

Product Documentation

- 053-279 – DSEG8007 Installation Instructions
- 057-377 – DSEG8007 Operator Manual
- 057-128 – DSE8005 DSE SCADA Suite PC Software Manual



DEEP SEA ELECTRONICS UK
 T: +44 (0) 1723 890099
 E: sales@deepseaelectronics.com
 W: www.deepseaelectronics.com

DEEP SEA ELECTRONICS USA
 T: +1 (815) 316 8706
 E: usasales@deepseaelectronics.com
 W: www.deepseaelectronics.com

DEEP SEA ELECTRONICS UAE
 T: +971 (0) 45910819
 E: uaesales@deepseaelectronics.com
 W: www.deepseaelectronics.com

DEEP SEA ELECTRONICS INDIA
 T: +91 20 68195900
 E: sales@deepseaelectronics.com
 W: www.deepseaelectronics.com



DSEG8007 7” Graphical Colour Remote Overview Display

Part Number: G8007-01

Environmental Testing Standards	
Electro-Magnetic Compatibility	
BS EN 61000-6-2	EMC Generic Immunity Standard for the Industrial Environment
BS EN 61000-6-4	EMC Generic Emission Standard for the Industrial Environment
Electrical Safety	
BS EN 61010	Safety of Information Technology Equipment, including Electrical Business Equipment
Temperature	
BS EN 60068-2-1	Ab/Ae Cold Test -30 °C
BS EN 60068-2-2	Bb/Be Dry Heat +70 °C
Vibration	
BS EN 60068-2-6	Ten sweeps in each of three major axes 5 Hz to 8 Hz at ±7.5 mm, 8 Hz to 500 Hz at 2 Gn
Humidity	
BS EN 60068-2-30	Db Damp Heat Cyclic 20/55 °C at 95% Relative Humidity 48 Hours
BS EN 60068-2-78	Cab Damp Heat Static 40 °C at 93% Relative Humidity 48 Hours
Shock	
BS EN 60068-2-27	Three shocks in each of three major axes 15 Gn in 11 ms
Degrees of Protection Provided by Enclosures	
BS EN 60529	IP65 - Front of module when installed into the control panel with the supplied sealing gasket.

Product Documentation

053-279 – DSEG8007 Installation Instructions
 057-377 – DSEG8007 Operator Manual
 057-128 – DSE8005 DSE SCADA Suite PC Software Manual



DEEP SEA ELECTRONICS UK
 T: +44 (0) 1723 890099
 E: sales@deepseaelectronics.com
 W: www.deepseaelectronics.com

DEEP SEA ELECTRONICS USA
 T: +1 (815) 316 8706
 E: usasales@deepseaelectronics.com
 W: www.deepseaelectronics.com

DEEP SEA ELECTRONICS UAE
 T: +971 (0) 45910819
 E: uaesales@deepseaelectronics.com
 W: www.deepseaelectronics.com

DEEP SEA ELECTRONICS INDIA
 T: +91 20 68195900
 E: sales@deepseaelectronics.com
 W: www.deepseaelectronics.com



DSEG8007 7” Graphical Colour Remote Overview Display

Part Number: G8007-01

Terminals	
Pin	Description
1 to 2	DC Supply
3 to 4	Digital Alarm Outputs
A, B & SCR	RS485

Product Documentation

- 053-279 – DSEG8007 Installation Instructions
- 057-377 – DSEG8007 Operator Manual
- 057-128 – DSE8005 DSE SCADA Suite PC Software Manual



DEEP SEA ELECTRONICS UK
 T: +44 (0) 1723 890099
 E: sales@deepseaelectronics.com
 W: www.deepseaelectronics.com

DEEP SEA ELECTRONICS USA
 T: +1 (815) 316 8706
 E: usasales@deepseaelectronics.com
 W: www.deepseaelectronics.com

DEEP SEA ELECTRONICS UAE
 T: +971 (0) 45910819
 E: uaesales@deepseaelectronics.com
 W: www.deepseaelectronics.com

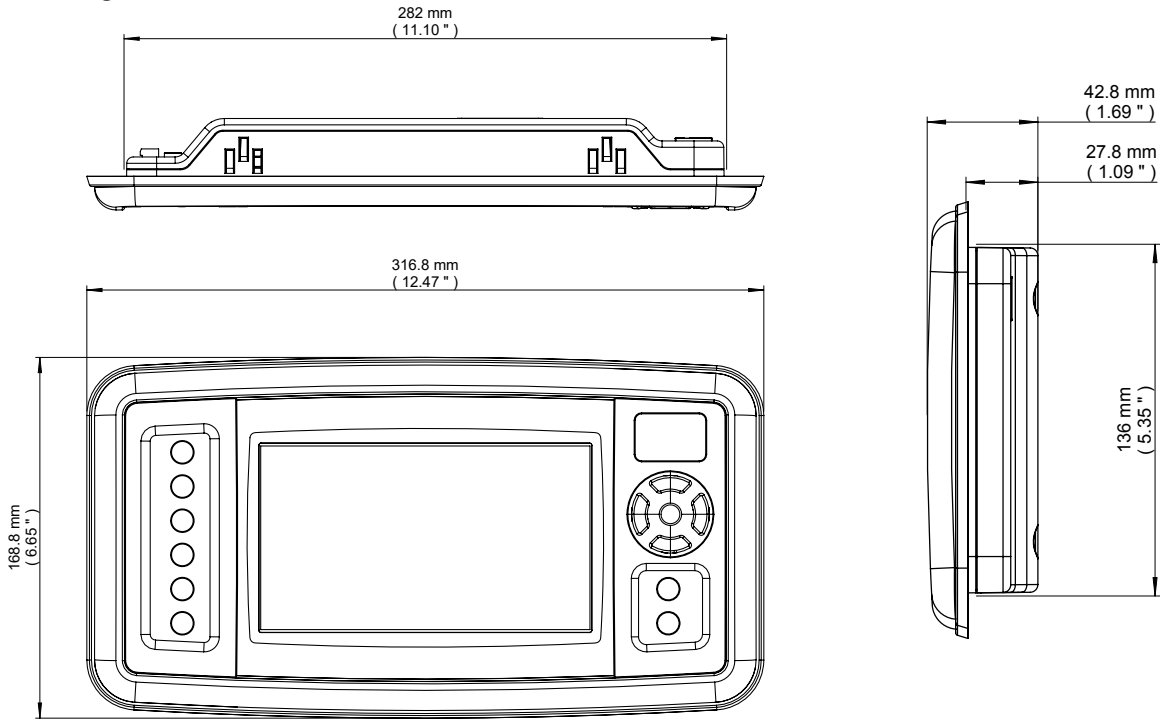
DEEP SEA ELECTRONICS INDIA
 T: +91 20 68195900
 E: sales@deepseaelectronics.com
 W: www.deepseaelectronics.com



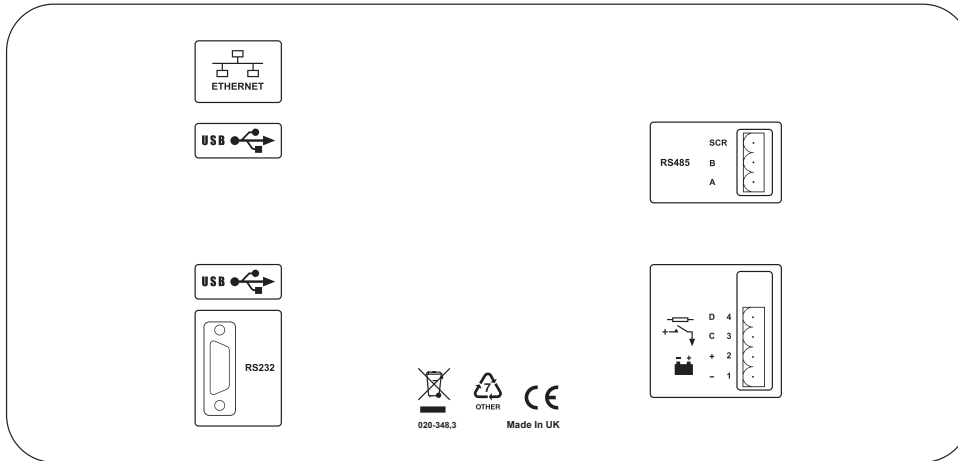
DSEG8007 7" Graphical Colour Remote Overview Display

Part Number: G8007-01

Technical Drawing



Connection Label



Product Documentation

- 053-279 – DSEG8007 Installation Instructions
- 057-377 – DSEG8007 Operator Manual
- 057-128 – DSE8005 DSE SCADA Suite PC Software Manual



DEEP SEA ELECTRONICS UK
 T: +44 (0) 1723 890099
 E: sales@deepseaelectronics.com
 W: www.deepseaelectronics.com

DEEP SEA ELECTRONICS USA
 T: +1 (815) 316 8706
 E: usasales@deepseaelectronics.com
 W: www.deepseaelectronics.com

DEEP SEA ELECTRONICS UAE
 T: +971 (0) 45910819
 E: uaesales@deepseaelectronics.com
 W: www.deepseaelectronics.com

DEEP SEA ELECTRONICS INDIA
 T: +91 20 68195900
 E: sales@deepseaelectronics.com
 W: www.deepseaelectronics.com